

# Condensate Neutralizer

AXIOM

Available at:

PEXHEAT.COM



## NC-1W

### Wall Hung (Vertical)



- Ⓐ NeutraPal prevents acidic condensate from corroding drains and sewer systems
- Ⓐ **Patented** manual reset float system indicates if the unit has become restricted
- Ⓐ Integral bypass feature prevents condensate backflow into appliance
- Ⓐ Reversible for fast and easy installation
- Ⓐ Neutralized condensate is more environmentally friendly
- Ⓐ Helps maintain a neutral environment for bacteria in septic systems
- Ⓐ Suitable for use on all types of Natural Gas and Propane appliances
- Ⓐ Includes initial charge of LipHter<sup>+</sup> neutralizing agent

Featuring :

LipHter<sup>+</sup>

400,000 Btu/hr  
(1.6 Gal/hr, 6.05 l/hr)

\* Check with the appliance manufacturer for condensate flowrate. As a guideline 400,000 BTU/hr at 93% efficiency will produce approximately 1.6 Gal/hr.

The NC-1W 'NeutraPal' is ideal for neutralizing condensate from condensing boilers and furnaces operating on natural gas or propane. The condensate is acidic and has the potential to harm the environment and the sewer system. The NeutraPal will raise the pH of the condensate to a more neutral level before it is discharged to drain.

✉ info@axiomind.com  
☎ (877)651-1815  
🌐 WWW.AXIOMIND.COM

NeutraPal™

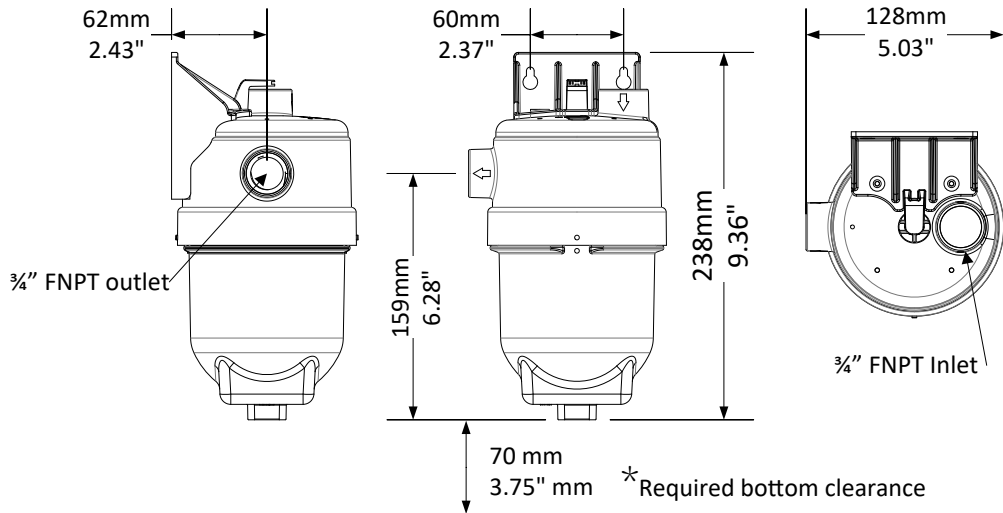


Available at:



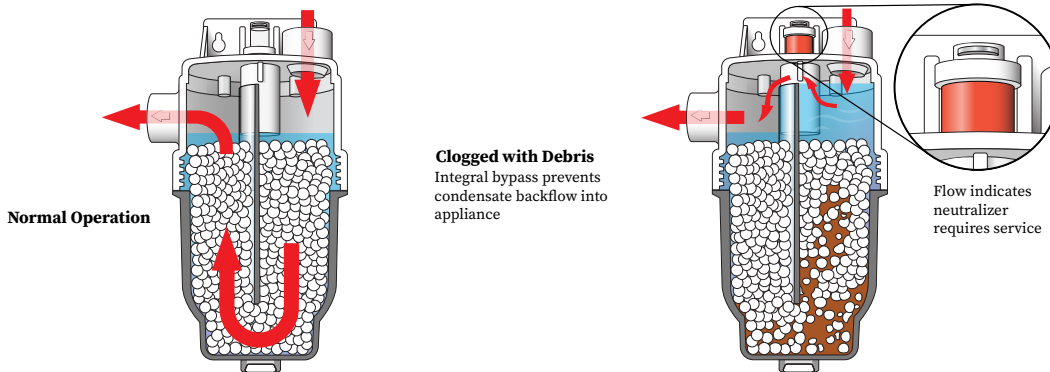
## NC-1W Condensate Neutralizer Technical Information

### DIMENSIONS:



**WEIGHT:** 1.7 kg, 3.7 lbs. (dry weight with Media)

**Bottom Clearance:** 70mm [3.75"]



### SPECIFICATION:

The wall hung condensate neutralization capsule shall be AXIOM INDUSTRIES LTD. model NC-1W. System shall include 1 litre (0.26 U.S. gallon) capsule with integral by-pass overflow baffle wall made from corrosion resistant materials with one 4" fill/access openings, 3/4"-14 FNPT threaded inlet and outlet, manual reset by-pass flow indicator (Polyurethane float and Neodymium magnet), and wall mounting bracket.

### OPTIONAL ACCESSORIES:

- NM-1** -- Replacement LipHter<sup>+</sup> neutralization media (Exact Refill)
- NM-1BULK** -- Replacement LipHter<sup>+</sup> neutralization media (Up to 15 Refills)

### LIMITED WARRANTY:

The "NC-1W" is warranted against defects in materials and workmanship for one year.



Project \_\_\_\_\_  
 Consultant \_\_\_\_\_  
 Unit Tag \_\_\_\_\_

Location \_\_\_\_\_  
 Contractor \_\_\_\_\_  
 Sales Agent \_\_\_\_\_