



Available at:

PEXHEAT.COM

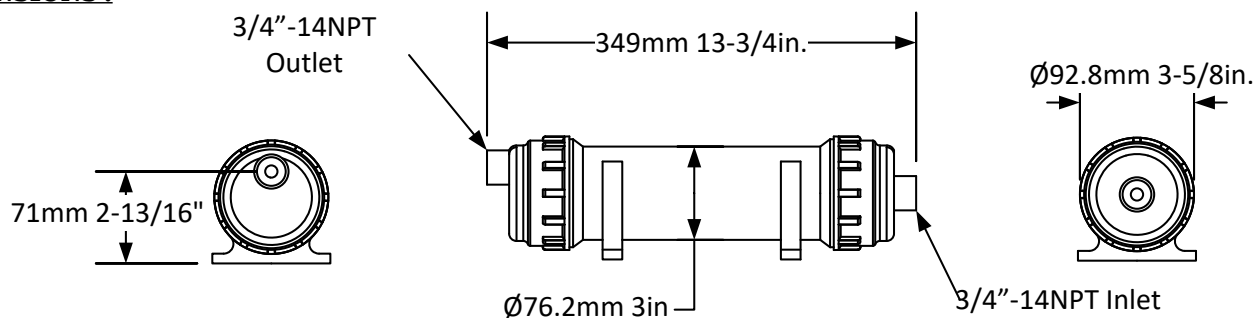
NC-1S Condensate Neutralizer Technical Information

KIT CONTENTS :



No.	Parts Description
A	Two NC Series O-Rings for Canister
B	Two NC Series Unions
C	Two 3/4" NPT to 3/4" PVC socket weld adapters
D	Two Base/Wall Mounting Clamps

DIMENSIONS :



WEIGHT : 2 kg, 4.4 lbs. (dry weight with Media)

SPECIFICATION :

The condensate neutralization capsule shall be AXIOM INDUSTRIES LTD. model NC-1S. System shall include 1 litre (0.26 U.S. gallon) transparent capsule made from corrosion resistant materials with two 3" fill/access openings, 3" inlet and outlet screen, 3/4"-14NPT threaded inlet, 3/4"-14NPT threaded outlet, two 3/4" MNPT x 3/4" FNPT unions, two 3/4" NPT to 3/4" schedule 40 PVC socket weld adapters, two base/wall mounting clamps, and initial charge of LipHter⁺ neutralizing media.

OPTIONAL ACCESSORIES :

- NM-1** -- Replacement LipHter⁺ neutralization media (Exact Refill)
- NM-1BULK** -- Replacement LipHter⁺ neutralization media (Up to 15 Refills)

LIMITED WARRANTY :

The "NC-1S" is warranted against defects in materials and workmanship for one year.

Project _____
 Consultant _____
 Unit Tag _____

Location _____
 Contractor _____
 Sales Agent Pexheat.com