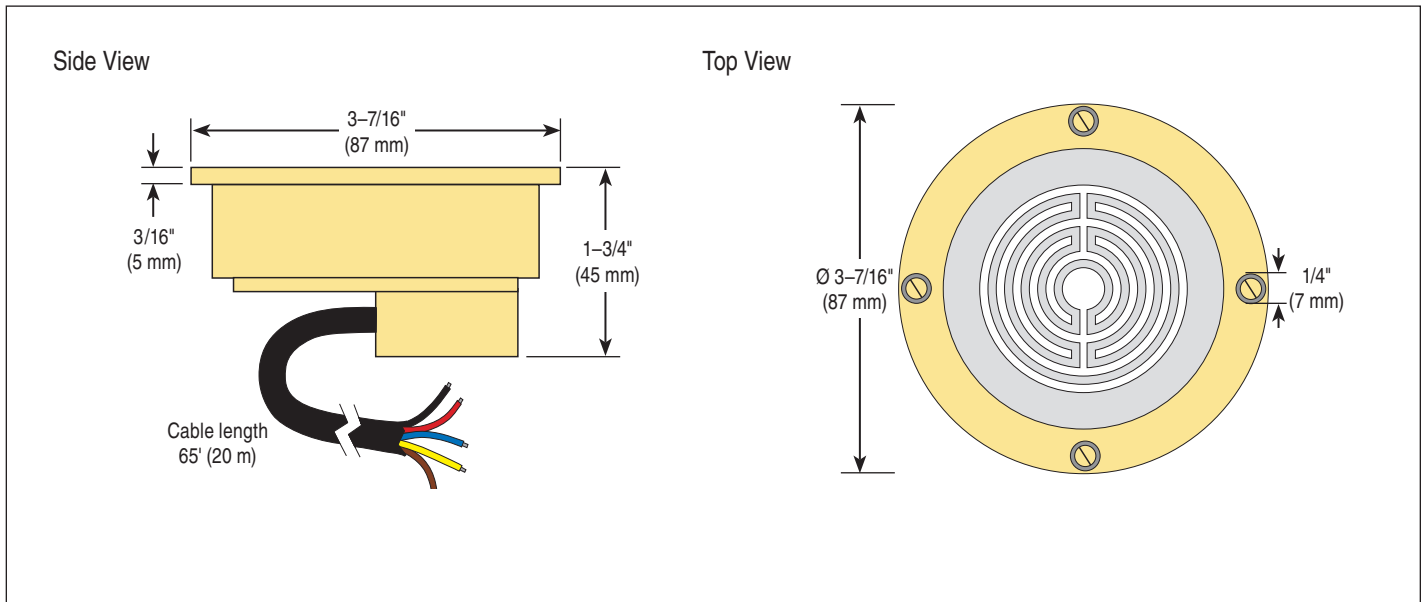


Job \_\_\_\_\_ Designer Brian Whitehurst Contact Pexheat.com

The Snow/Ice Sensor 090 is an in ground sensor used with tekmar snow melting controls to automatically detect snow or ice on a driveway or walkway. The 090 has 65 ft (20 m) of wire. This product can be used in applications ranging from residential driveways to commercial building fronts such as emergency access entries. This sensor allows tekmar snow melting controls to automatically operate the snow/ice melt system only when snow or ice is present, while also providing temperature feedback to the control.



**Specifications**

<b>Snow / Ice Sensor 090 In-slab, 65 ft. (20 m) Wire</b>	
Literature	090_D, 090_C
Packaged weight	4.4 lb (2000 g)
Dimensions	1-3/4" H x 3-7/16" OD (45 mm H x 87 mm OD)
Sensor material	Silicon brass
Cable Material	65 ft. (20 m) 5 conductor stranded wire with polyethylene jacket
Approvals	CSA C US with tekmar Snow Melting Controls
Operating range	-30 to 170°F (-34 to 77°C)
Load rating	15,000 lb (66,723 N) distributed load, non-impact, installed in concrete according to the manual
Included	4 #4-40, 7/16" machined, stainless steel screws 4 #6-32, 3/8" flathead, slotted, stainless steel screws
Warranty	Limited 3 Year (See 090_D for full warranty)

**Energy Saving Features**

- Automatic snow/ice detection so melting systems only operate when needed

**Additional Features**

- Slab temperature sensing
- Long wire included so in field splicing is not necessary
- Designed for long life in driveway and walkway installations
- 65 ft (20 m) of cable

**SPECIAL REQUIREMENTS**

The Snow / Ice Sensor 090 must be operated by a tekmar Snow Melting Control 654, 661, 662, 664, 665, 667 or 680. Operation of the sensor by 3rd party control systems may result in electrolysis failures not covered by the tekmar Limited Warranty.

