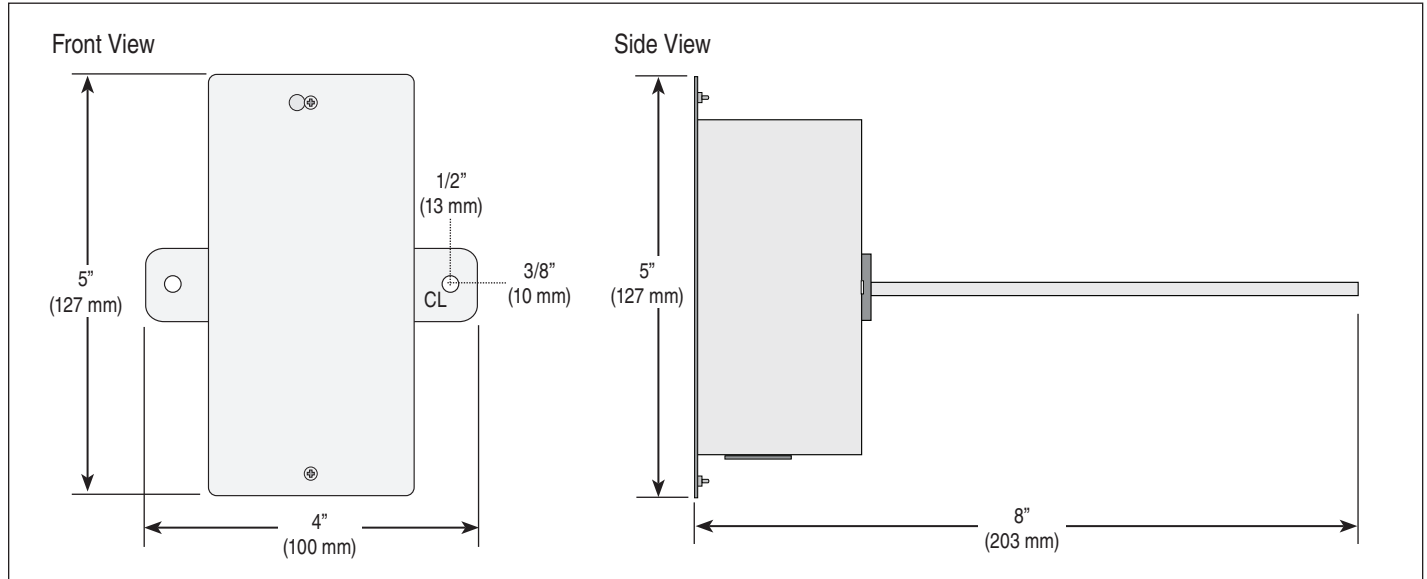




Job \_\_\_\_\_ Designer **Brian Whitehurst** Contact **Pexheat.com**

The Duct Sensor 083 is a 10 kΩ temperature sensor designed to measure the average temperature of the air stream in a heating, cooling, or ventilation duct. It has a 6" (150 mm) long probe connected to a 2" x 4" electrical box for easy wiring.



### Specifications

Duct Sensor 083	
Literature	D083
Packaged weight	1 lb (454 g)
Dimensions	4" W x 8" H x 5" L (100 mm x 203 mm x 127 mm)
Probe	1/4" (6.33 mm) O.D., 0.020" (.5 mm) Wall, 6" (150 mm) 304 Stainless Steel
Enclosure	NEMA 1 / IP30, 18 Gauge Galvanized Steel
Approvals	CSA C US
Operating range	-40 to 250°F (-40 to 121°C)
Sensor	NTC thermistor, 10 kΩ @ 77°F (25°C ±0.2°C) β=3892
Warranty	Limited 3 Year (See D083 for full warranty)

### Features

- Corrosion resistant stainless steel probe
- Designed for easy duct mounting
- Thermistor accuracy of +/-0.2°F
- CSA and C US Approved for use in USA and Canada

### Temperature vs. Resistance

Temperature	Resistance	Temperature	Resistance	Temperature	Resistance	Temperature	Resistance				
°F	°C	Ω	°F	°C	Ω	°F	°C	Ω	°F	°C	Ω
-40°	-40°	336,479	68°	20°	12,493	176°	80°	1,255	284°	140°	235
-31°	-35°	242,681	77°	25°	10,000	185°	85°	1,070	293°	145°	208
-22°	-30°	176,974	86°	30°	8,057	194°	90°	915	302°	150°	186
-13°	-25°	130,421	95°	35°	6,531	203°	95°	786	311°	155°	166
-4°	-20°	97,081	104°	40°	5,326	212°	100°	678	320°	160°	148
5°	-15°	72,957	113°	45°	4,368	221°	105°	587	329°	165°	133
14°	-10°	55,329	122°	50°	3,602	230°	110°	510	338°	170°	119
23°	-5°	42,327	131°	55°	2,986	239°	115°	445	347°	175°	107
32°	0°	32,650	140°	60°	2,488	248°	120°	389	356°	180°	97
41°	5°	25,392	149°	65°	2,083	257°	125°	341	365°	185°	87
50°	10°	19,901	158°	70°	1,752	266°	130°	301	374°	190°	79
59°	15°	15,712	167°	75°	1,480	275°	135°	265	383°	195°	72

### SPECIAL REQUIREMENTS

N / A



tekmar Control Systems Ltd., Canada, tekmar Control Systems, Inc., U.S.A. **Head Office: 5100 Silver Star Road, Vernon, B.C. Canada V1B 3K4, 250-545-7749, Fax. 250-545-0650 Web Site: www.tekmarcontrols.com**

