

|                                    |                        |                 |
|------------------------------------|------------------------|-----------------|
| PROJECT: _____                     | UNIT TAG: _____        | QUANTITY: _____ |
| REPRESENTATIVE: <u>Pexheat.com</u> | TYPE OF SERVICE: _____ | DATE: _____     |
| ENGINEER: _____                    | SUBMITTED BY: _____    | DATE: _____     |
| CONTRACTOR: _____                  | APPROVED BY: _____     | DATE: _____     |
|                                    | ORDER NO.: _____       | DATE: _____     |

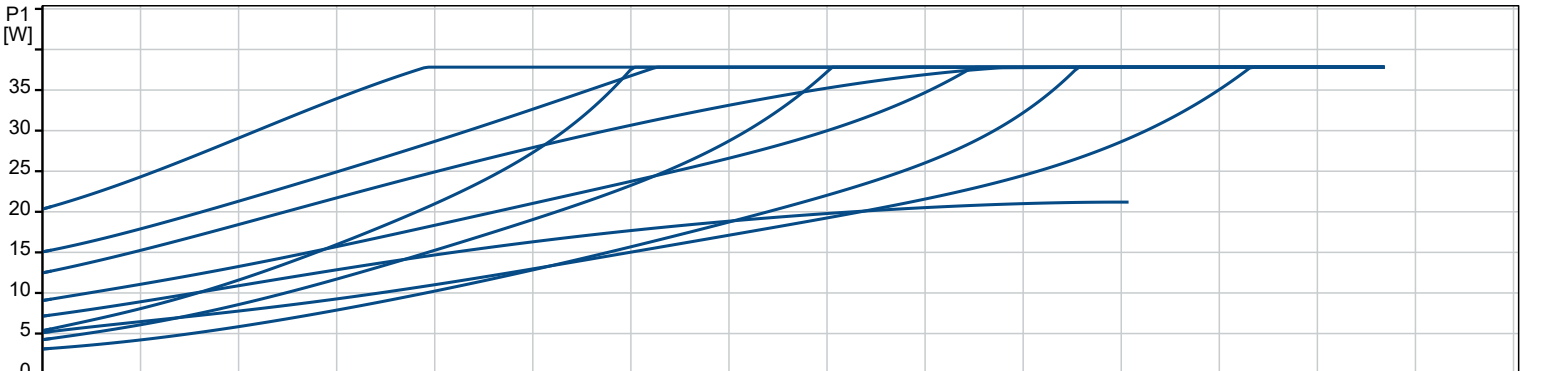
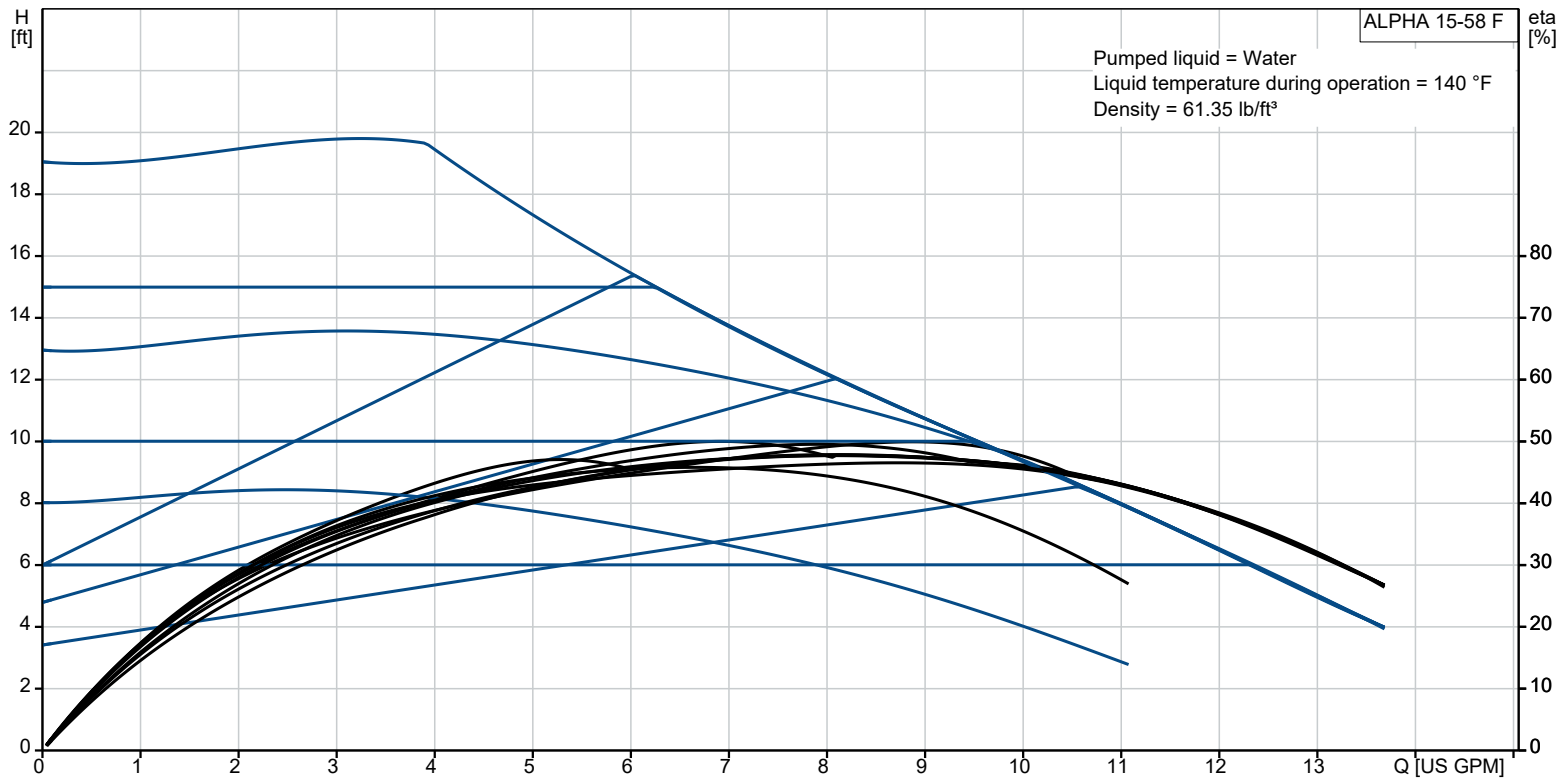


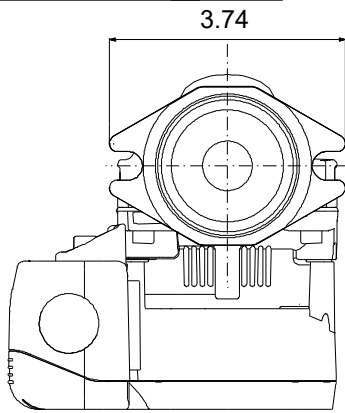
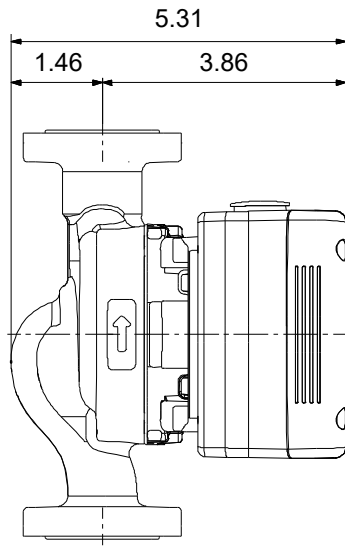
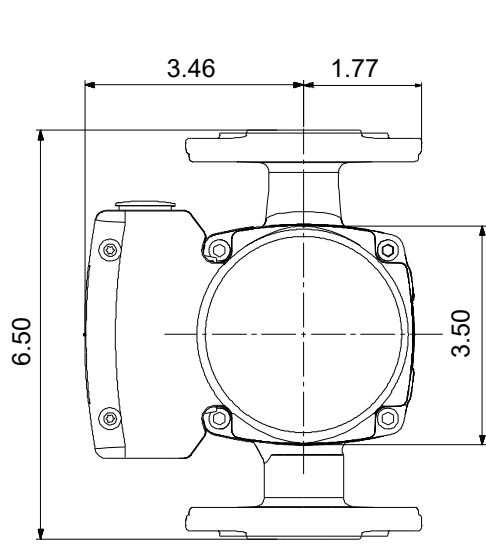
## ALPHA 15-58 F

ALPHA is a high-efficiency circulator designed for heating systems. It offers faster installation, smarter setup and troubleshooting, higher energy savings and fewer call-backs compared to other pumps.

Note! Product picture may differ from actual product

| Conditions of Service |        | Pump Data                    |                | Motor Data       |       |
|-----------------------|--------|------------------------------|----------------|------------------|-------|
| Liquid:               | Water  | Maximum operating pressure:  | 175.0 PSI      | Mains frequency: | 60 Hz |
| Temperature:          | 140 °F | Liquid temperature range:    | 35.6 .. 230 °F |                  |       |
| Specific Gravity:     | 0.985  | Maximum ambient temperature: | 131 °F         |                  |       |
|                       |        | Pipe connection:             | GF 15/26       |                  |       |
|                       |        | Product number:              | 92603115       |                  |       |





**Materials:**

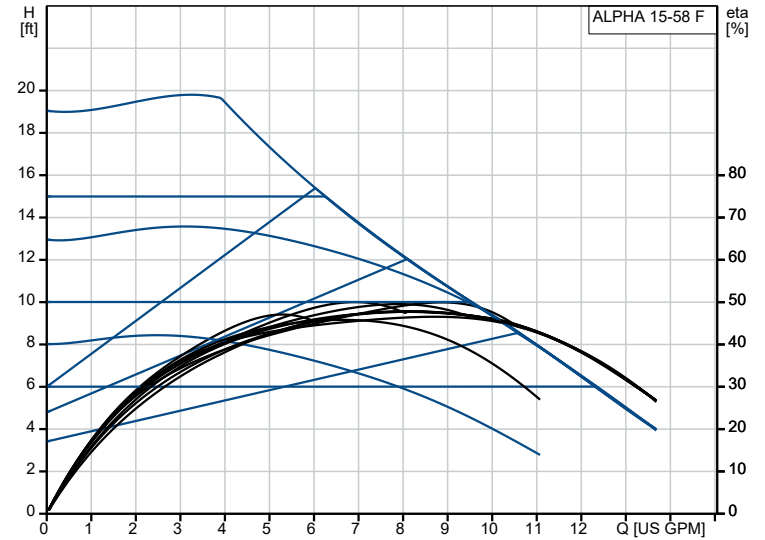
Pump housing: Cast iron

Pump housing: ASTM A48-25A

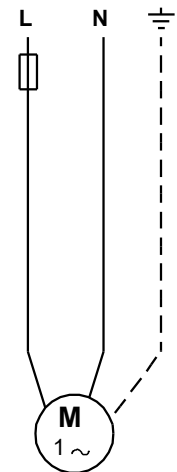
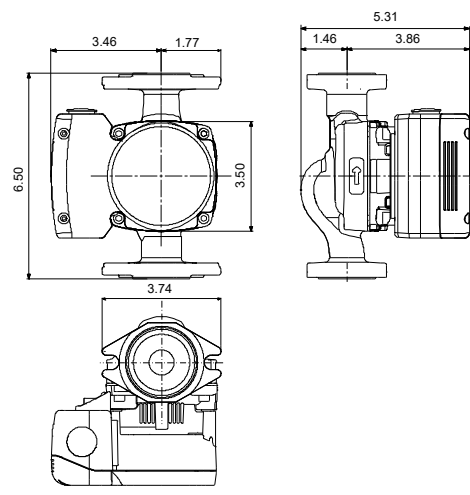
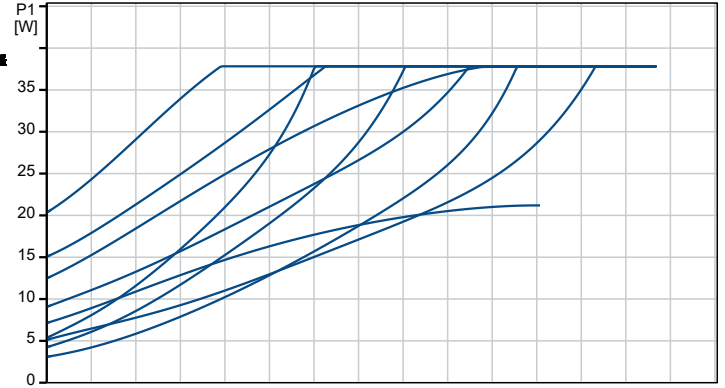
Impeller: Composite

Date: 12/09/2023

| Description                             | Value                    |
|---|--------------------------|
| <b>General information:</b>             |                          |
| Product name:                           | ALPHA 15-58 F            |
| Product No:                             | 92603115                 |
| EAN number:                             | 5715116925271            |
| Price:                                  |                          |
| <b>Technical:</b>                       |                          |
| Rated flow:                             | 8.37 US GPM              |
| Rated head:                             | 11.16 ft                 |
| TF class:                               | 110                      |
| Approvals:                              | FCC,cULus                |
| Model:                                  | B                        |
| <b>Materials:</b>                       |                          |
| Pump housing:                           | Cast iron                |
| Pump housing:                           | EN 1561 EN-GJL-150       |
| Pump housing:                           | ASTM A48-25A             |
| Impeller:                               | Composite                |
| Impeller:                               | PESU 30% gf + PESU-GF20% |
| <b>Installation:</b>                    |                          |
| Range of ambient temperature:           | 32 .. 131 °F             |
| Maximum permissible operating pressure: | 175.0 PSI                |
| Pipe connection:                        | GF 15/26                 |
| Pressure rating for connection:         | PN 12                    |
| Port-to-port length:                    | 6 1/2 in                 |
| <b>Liquid:</b>                          |                          |
| Pumped liquid:                          | Water                    |
| Liquid temperature range:               | 35.6 .. 230 °F           |
| Selected liquid temperature:            | 140 °F                   |
| Density:                                | 61.35 lb/ft <sup>3</sup> |
| <b>Electrical data:</b>                 |                          |
| P1 min.:                                | 3.4 W                    |
| P1 max.:                                | 38 W                     |
| Mains frequency:                        | 60 Hz                    |
| Rated voltage:                          | 1 x 115 V                |
| Maximum current consumption:            | 0.71 A                   |
| Enclosure, Type:                        | 2                        |
| <b>Others:</b>                          |                          |
| Net weight:                             | 5.34 lb                  |
| Gross weight:                           | 6 lb                     |
| Shipping volume:                        | 0.25 ft <sup>3</sup>     |
| Sales region:                           | Namreg                   |
| Country of origin:                      | DK                       |
| Custom tariff no.:                      | 8413.70.10.90            |



Pumped liquid = Water  
Liquid temperature during operation = 140 °F  
Density = 61.35 lb/ft<sup>3</sup>



## 92603115 ALPHA 15-58 F 60 Hz

