

For Residential and Commercial Applications

Job Name _____

Contractor _____

Job Location _____

Approval _____

Engineer _____

Contractor's P.O. No. _____

Approval _____

Representative _____

Manifold Mounting Box

Powder Coated Steel Construction

Watts Radiant manifold mounting boxes come in three main sizes: 16" x 29" x 4-1/2" (406.4 mm x 736.6 mm x 114.3 mm), 24" x 29" x 4-1/2" (609.6 mm x 736.6 mm x 114.3 mm), and 40" x 29" x 4-1/2" (1016.0 mm x 736.6 mm x 114.3 mm). Each box is designed to be recessed into a 2" x 6" (50.8 x 152.4 mm) stud wall. Due to box depth, installation in a 2" x 4" (50.8 x 101.6 mm) stud wall will require shimming the frame for proper fit.

Each box contains assembly components listed below, as well as box elevators. The elevators can raise the box from 1-1/2" (38.1 mm) to 4-1/2" (114.3 mm) off of the floor.

Specifications

Watts Radiant Manifold Boxes come with two fixed horizontal attachments rails and two vertical adjustment rails to better accommodate a wide range of manifold mounting brackets. Each Watts Radiant Manifold option will utilize different rail positions, depending on the bracket used.

The manifold box is constructed of galvanized steel with a powder-coated sheet metal frame and locking cover, providing increased resistance to corrosion and job-site abuse and comes complete with rail locking nuts, support posts and hex head bolts.

Installation Parameters

1. Remove and set aside the door.
2. Adjust box height by using the Box Elevators located on the sides with Wing Bolts and Washers.
3. Adjust frame depth to wall requirements by using the Wing Bolts and washers locked in the inside four corners.
4. Secure the Main Box in the frame wall.
5. Slide the vertical Manifold Bracket Mounts into the horizontal Manifold Support Brackets. Secure the manifold brackets to the Manifold Support Bracket using the Locking Rail Nut and Hex Head Bolt. Line up the manifold brackets as shown on reverse side.
6. Knock out the supply/return knock-outs on either side, as needed.
7. Install the door frame by resting it onto the lower rail of the frame and lift. Secure door via the lock.



Manifold Mounting Box

Available at: 888-470-2757

PEXHEAT.COM

✓	Dimensions	Order No.	Rough-in Dim.	Cover Dim.
	16" x 29" x 4-1/2" Box (406.4 mm x 736.6 mm x 114.3 mm)	81001525	16"W x 29-1/2"H x 4-1/2"D (406.4 mm x 749.3 mm x 114.3 mm)	17-3/8"W x 21-3/4"H (441.3 mm x 552.4 mm)
	24" x 29" x 4-1/2" Box (609.6 mm x 736.6 mm x 114.3 mm)	81003497	24"W x 29-1/2"H x 4-1/2"D (609.6 mm x 749.3 mm x 114.3 mm)	27-3/8"W x 21-3/4"H (695.3 mm x 552.4 mm)
	40" x 29" x 4-1/2" Box (1016.0 mm x 736.6 mm x 114.3 mm)	81004517	40"W x 29-1/2"H x 4-1/2"D (1016.0 mm x 749.3 mm x 114.3 mm)	42-3/8"W x 21-3/4"H (1076.3 mm x 552.4 mm)

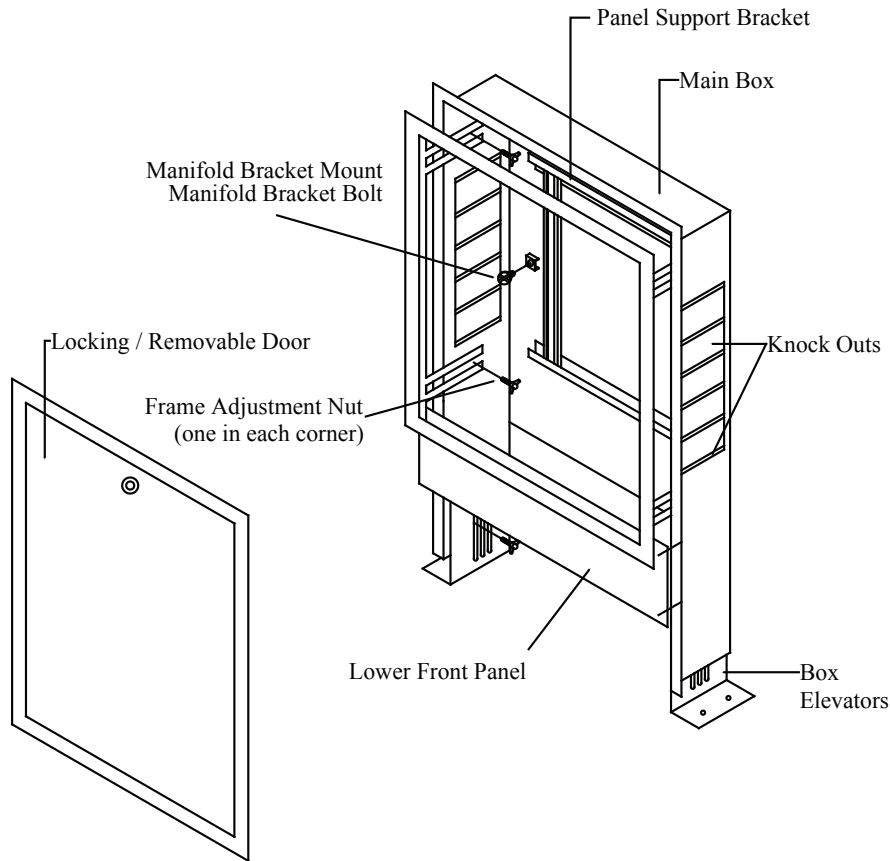
*Dimensions listed as Width x Height x Depth. Final depth can be extended to 6-1/2" (165.1 mm).

⚠ CAUTION

This Engineering Sheet is not intended to provide full installation instructions. In order to avoid property damage or injury, please refer to the complete installation manual and warnings and safety information provided with the product.

WattsRadiant™
Floor Heating & Snow Melting

Watts Radiant product specifications in U.S. customary units and metric are approximate and are provided for reference only. For precise measurements, please contact Watts Radiant Technical Service. Watts Radiant reserves the right to change or modify product design, construction, specifications, or materials without prior notice and without incurring any obligation to make such changes and modifications on Watts Radiant products previously or subsequently sold.



Manifold Mounting Box

Maximum Manifold Size per Manifold Box Size*			
Stainless Steel Manifolds	No V/P	With V/P	With V/P & BV
16" x 29" x 4-1/2" Box (406.4 mm x 736.6 mm x 114.3 mm)	M-4	M-4	M-3
24" x 29" x 4-1/2" Box (609.6 mm x 736.6 mm x 114.3 mm)	M-8	M-8	M-7
40" x 29" x 4-1/2" Box (1016.0 mm x 736.6 mm x 114.3 mm)	M-12+M-2	M-12+M-2	M-14
Onix and RadiantPEX+ Tubular Manifolds**			
16" x 29" x 4-1/2" Box (406.4 mm x 736.6 mm x 114.3 mm)	M-6	M-5	N/A
24" x 29" x 4-1/2" Box (609.6 mm x 736.6 mm x 114.3 mm)	M-12	M-11	N/A
40" x 29" x 4-1/2" Box (1016.0 mm x 736.6 mm x 114.3 mm)	M-21	M-20	N/A
RadiantPEX-AL Tubular Manifolds**			
16" x 29" x 4-1/2" Box (406.4 mm x 736.6 mm x 114.3 mm)	M-5	M-4	N/A
24" x 29" x 4-1/2" Box (609.6 mm x 736.6 mm x 114.3 mm)	M-9	M-8	N/A
40" x 29" x 4-1/2" Box (1016.0 mm x 736.6 mm x 114.3 mm)	M-17	M-16	N/A

* Manifolds are base sizes: 1" for Stainless and tubular.
Circuit count will vary for larger diameter base manifolds.

** Includes Unions.

V/P = Vent-Purge Assembly.
BV = Ball Valve Assembly.

Available at: 888-470-2757

PEXHEAT.COM

WattsRadiant[™]
Floor Heating & Snow Melting

USA: Springfield, MO • Tel. (800) 276-2419 • Fax: (417) 864-8161 • www.wattsradiant.com

Canada: Burlington, ONT. (905) 332-4090 • Fax: (905) 332-7068 • www.wattscanada.ca