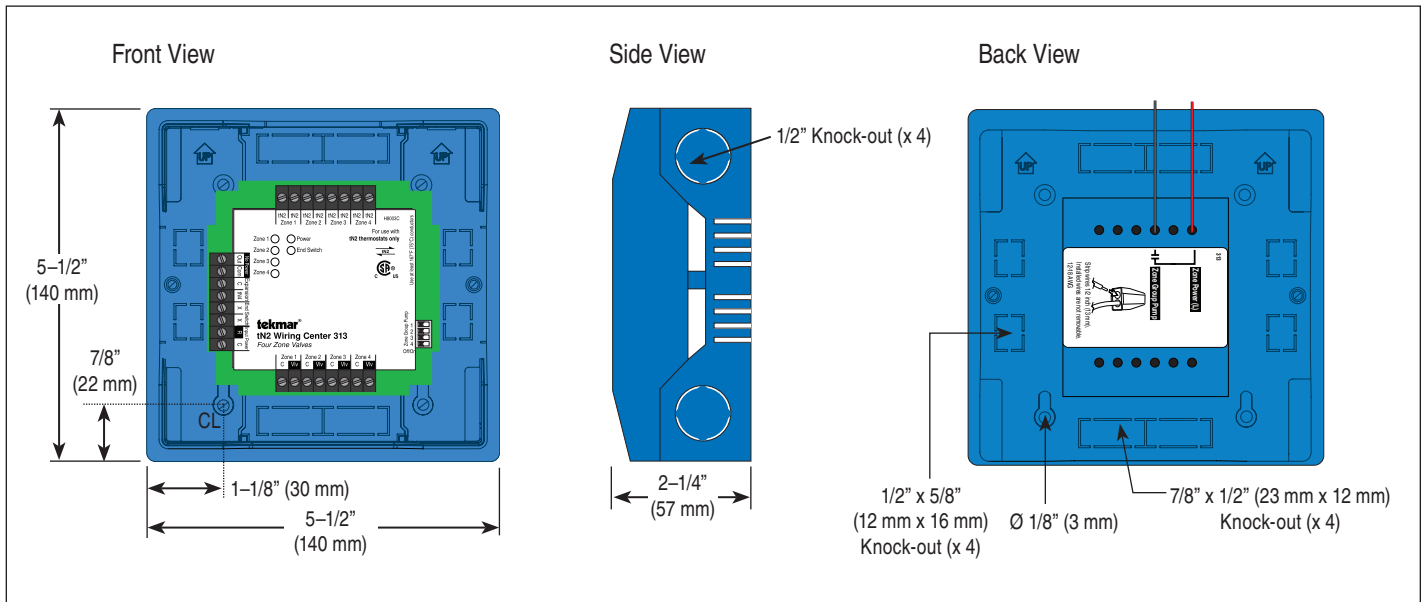




Job _____ Designer Brian Whitehurst Contact Pexheat.com

The tekmarNet®2 Wiring Center 313 is designed to provide a zoning solution for heating systems. It can be used in applications ranging from baseboard zones, to remote manifolds for radiant heating. This product provides power for up to four tekmarNet®2 thermostats, and up to four 24 V (ac) zone valve outputs, as well as providing an end switch closure to enable an external device such as a boiler. A line voltage output on the back of the control can operate a zone group pump if required. An outdoor sensor input is included and provides the outdoor air temperature reading on each thermostat when an optional outdoor sensor is installed.



Specifications

tN2 Wiring Center 313 Four Zone Valves	
Literature	D313, Q313, C313
Control	Microprocessor control. This is not a safety (limit) control
Packaged weight	1.4 lb (630 g)
Dimensions	5.5" H x 5.5" W x 2.25" D (140 x 140 x 57 mm)
Enclosure	Blue PC+ABS plastic, NEMA type 1
Approvals	CSA C US, meets class B: ICES & FCC Part 15
Ambient conditions	Indoor use only, 32 to 122°F (0 to 50°C), RH ≤90% Non-condensing
Power supply	24 V (ac) ±10%, 60 Hz, 3 VA min, 99 VA max, Class 2
Zone valve load	24 V (ac) 2 A, maximum combined current (zones 1 to 4): 4 A
End switch relay	24 V (ac) 2 A
Zone group pump	115 V (ac) 5 A
Sensors	NTC thermistor, 10 kΩ @ 77°F (25°C ±0.2°C) β=3892
-Included	None
-Optional	Outdoor Sensor 070
Warranty	Limited 3 Year (See D313 for full warranty)

Features

- Four 24 V (ac) powered zone outputs
- For use with tekmarNet®2 thermostats ONLY
- Supports two-stage tekmarNet®2 thermostats
- tN4 expansion terminals
- Isolated end switch
- Zone group pump output
- Outdoor sensor input
- External diagnostic LEDs
- CSA C US certified for use in USA and Canada

SPECIAL REQUIREMENTS

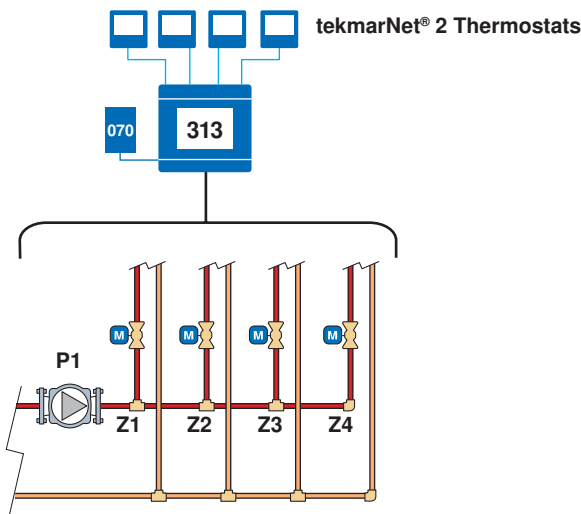
This control is designed for use ONLY with tekmarNet®2 Thermostats.

Sample Application Drawing



Below is a sample application drawing for this product. This application may include other tekmar products that are required for installation. More sample applications can be found at www.tekmarcontrols.com.

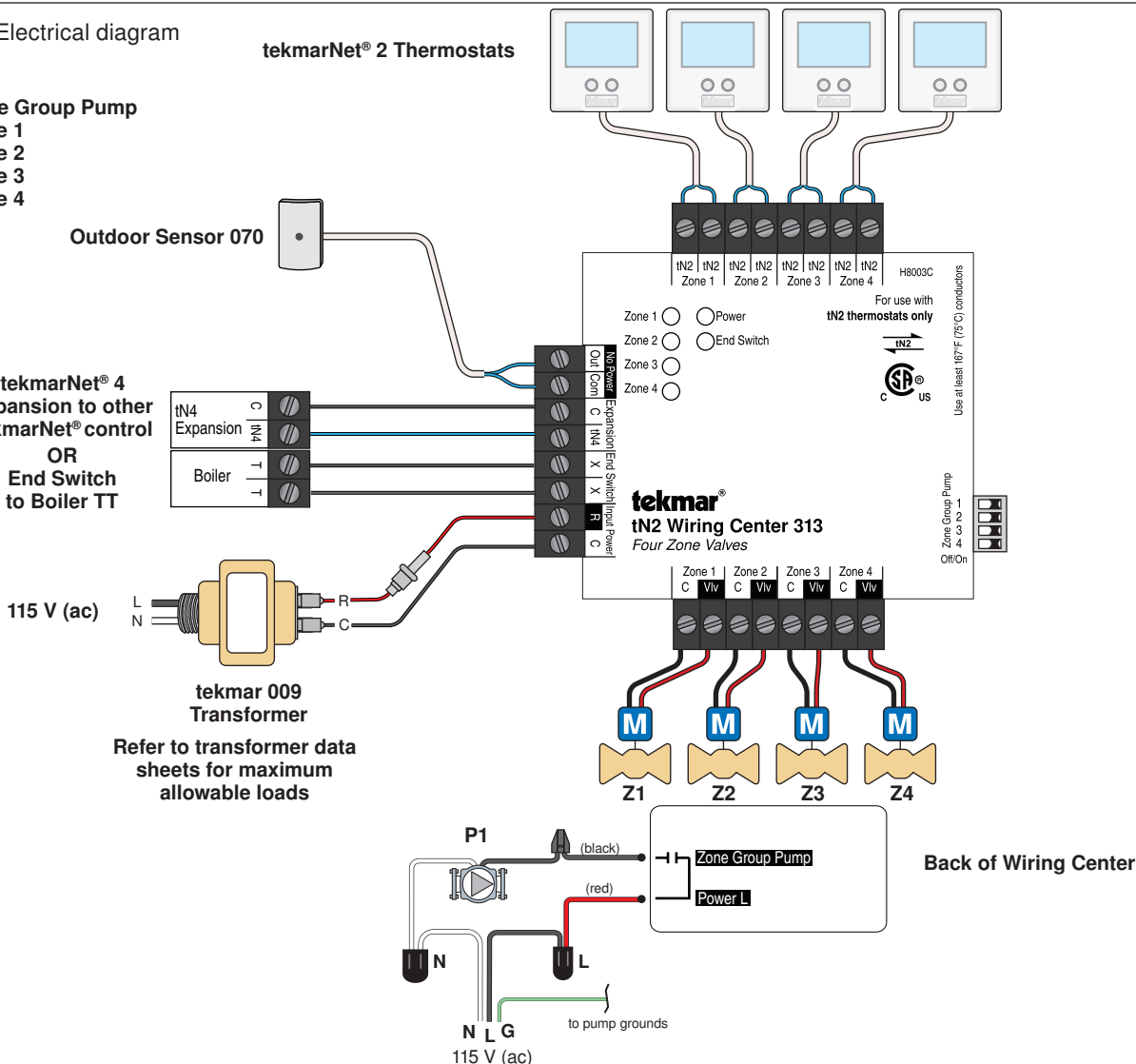
Sample Mechanical diagram



Sample Electrical diagram

Legend

- P1 = Zone Group Pump
- Z1 = Zone 1
- Z2 = Zone 2
- Z3 = Zone 3
- Z4 = Zone 4



tekmar Control Systems Ltd., Canada, tekmar Control Systems, Inc., U.S.A. **Head Office: 5100 Silver Star Road, Vernon, B.C. Canada V1B 3K4, 250-545-7749, Fax. 250-545-0650 Web Site: www.tekmarcontrols.com**

