

Webstone

VALVE INNOVATION

UNION BALL DRAIN



- 6 in 1 alternative replaces a union + 2 nipples + ball valve + tee fitting + boiler drain

5 LEAK PATHS AVOIDED
ESTIMATED LABOR SAVINGS: **45 min**


T DRAIN



- 2 in 1 alternative replaces a tee fitting + boiler drain

1 LEAK PATH AVOIDED
ESTIMATED LABOR SAVINGS: **9 min**

PURGE & FILL



- 7 in 1 alternative replaces 2 boiler drains + 2 tees + 2 close nipples + ball valve

6 LEAK PATHS AVOIDED
ESTIMATED LABOR SAVINGS: **54 min**

Air Separator



- 4 in 1 alternative replaces a ball valve + 2 tee fittings + boiler drain

5 LEAK PATHS AVOIDED
ESTIMATED LABOR SAVINGS: **45 min**



HYDRO-CORE

COMPLETE NEAR BOILER PIPING KIT

- Replaces 13 individual components
- Also available as component kits

12 LEAK PATHS AVOIDED
ESTIMATED LABOR SAVINGS: **1:48 min**

HYDRO-CORE

- Replaces 15 individual components

13 LEAK PATHS AVOIDED
ESTIMATED LABOR SAVINGS: **2 hours**

Patents Pending

The ISOLATOR

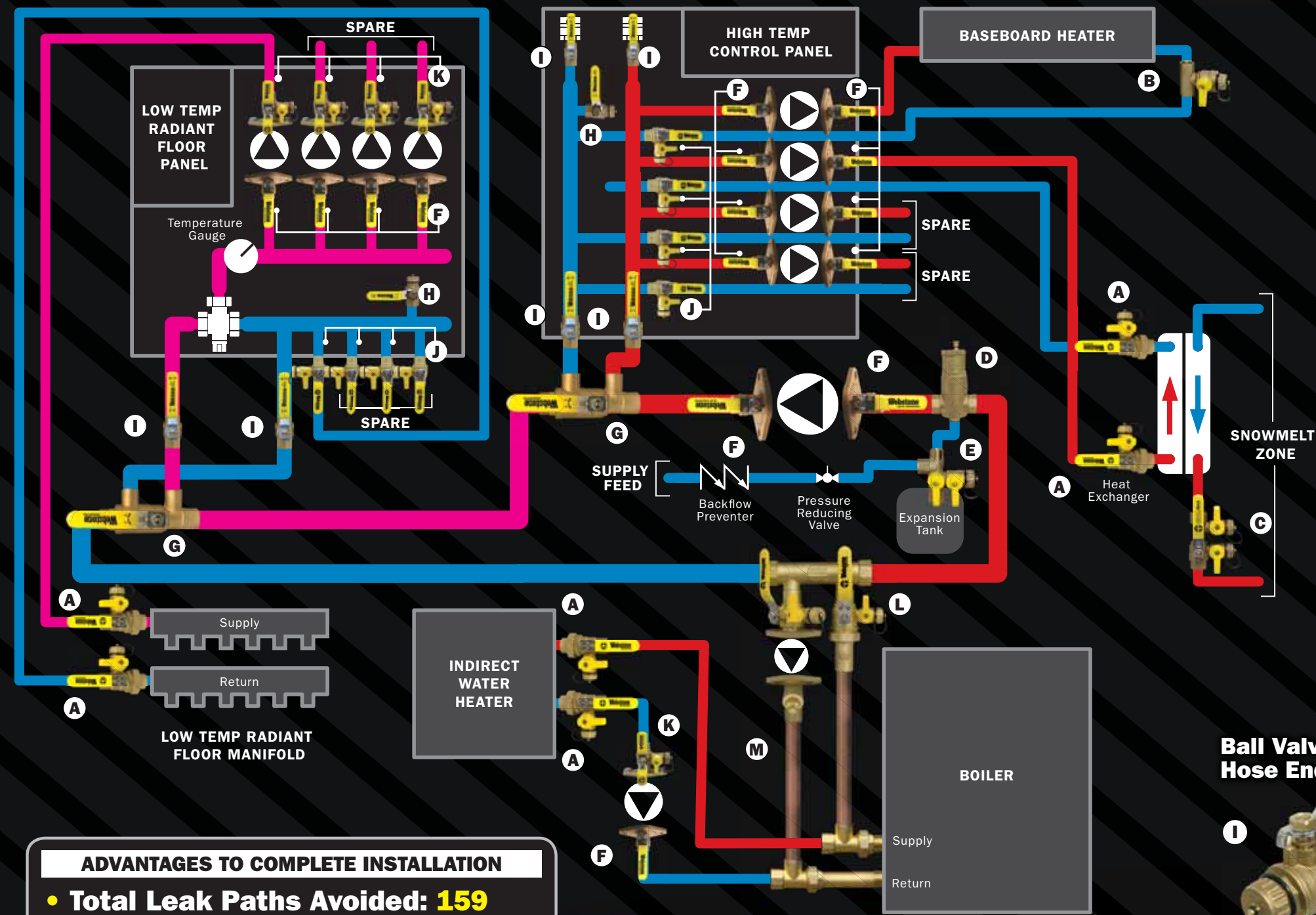
UNI-FLANGE BALL VALVE

- 7 in 1 alternative replaces a flange + 3 nipples + a tee + boiler drain + a ball valve

6 LEAK PATHS AVOIDED
ESTIMATED LABOR SAVINGS: **54 min**

Patented Technology

Brass Ball Valves

The ISOLATOR

UNI-FLANGE BALL VALVE

- 3 in 1 alternative replaces a flange + a nipple + a ball valve

2 LEAK PATHS AVOIDED
ESTIMATED LABOR SAVINGS: **18 min**

Patents Pending

PRIMARY/SECONDARY PURGE TEE



- 5 in 1 alternative replaces a tee fitting + 2 nipples + a ball valve + a tee fitting

4 LEAK PATHS AVOIDED
ESTIMATED LABOR SAVINGS: **36 min**

Patents Pending

BALL DRAIN



- 4 in 1 alternative replaces a ball valve + nipple + tee fitting + boiler drain

3 LEAK PATHS AVOIDED
ESTIMATED LABOR SAVINGS: **27 min**

ADVANTAGES TO COMPLETE INSTALLATION

- Total Leak Paths Avoided: **159**
- Total Estimated Labor Savings: **24 hours**

Available at: 631-240-9173
PEXHEAT.COM

Ball Valve w/ Hose End



www.webstonevalves.com
P: (800) 225-9529 F: (800) 336-5133

